

COMTELCO

Technical Specification

Y6687D

745-960 MHz 10dBd/12dBi Gain

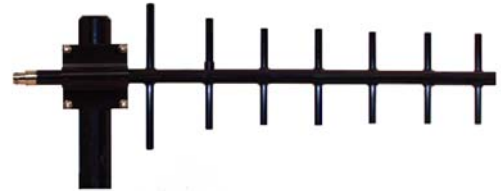
FULLY WELDED YAGI

High Performance: These antennas provide 10.2dBd, wide band performance.

Rugged and weatherproof: The construction of our heavy duty end fed yagis feature aluminum heavy wall tubing and 3/8" solid elements. All exposed areas are coated with UV polyester. The feed system is completely enclosed.

Lightweight and Durable: These antennas are easily installed by one person.

Termination : Direct Female Type "N"



ELECTRICAL SPECIFICATIONS:

GAIN: 10dBd F/B 20dB

FREQUENCY:

-745 745-896MHz

-890 890-960MHz

-915 900-930MHz

VSWR: 2:1

VERT BEAMWIDTH: 45°

HORIZ BEAM WIDTH: 55°

RATING : 300 watts, 50 ohms impedance

MECHANICAL SPECIFICATIONS:

MATERIAL: 1" heavy wall aluminum

3/8" solid elements

FINISH: UV inhibited polyester coat

LENGTH: 27"

WIDTH: 8.5"

WEIGHT: 3 lbs.

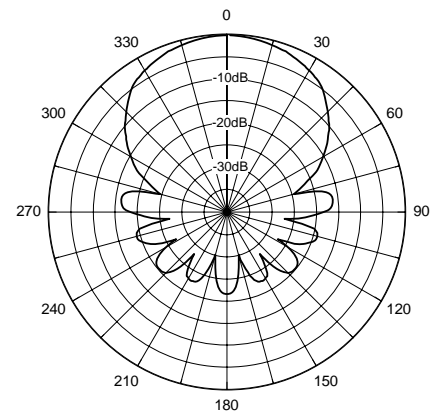
MOUNT: 2 3/8"

FLAT PLATE AREA: .265 ft

WIND RATING: 125 MPH

WIND LOAD: 15.9 lbs

Horizontal Pattern



Vertical Pattern

