

COMTELCO

Technical Specification

Y6646D-A
Y6646D-B

400-460 MHz - A
425-485 MHz - B

FULLY WELDED YAGI
9.5dBd / 11.5dBi GAIN

High Performance: These antennas provide 9.5dBd, wide band performance.

Rugged and weatherproof: The construction of our heavy duty end fed yagis feature aluminum heavy wall tubing and 3/8" solid elements. All exposed areas are coated with UV polyester. The feed system is completely enclosed.

Lightweight and Durable: These antennas are easily installed by one person.

Termination : Direct Female Type "N"



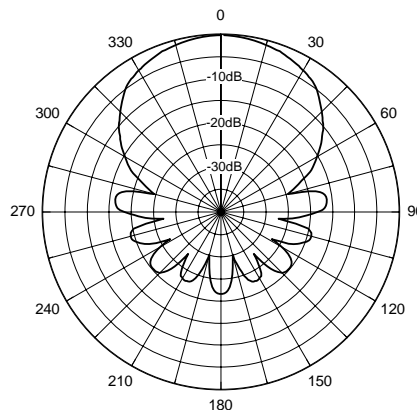
ELECTRICAL SPECIFICATIONS:

GAIN: 9.5dBd
FREQUENCY: A 400-460MHz
FREQUENCY: B 425-485MHz
VSWR: <1.5:1
FRONT TO BACK: 20dB
VERT BEAMWIDTH: 45°
HORIZ BEAM WIDTH: 55°
RATING : 300 watts, 50 ohms impedance

MECHANICAL SPECIFICATIONS:

MATERIAL: 1" heavy wall aluminum
3/8" solid elements
FINISH: UV inhibited polyester coat
LENGTH: 24"
WIDTH: 15"
WEIGHT: 3 lbs.
MOUNT: 2 3/8"
FLAT PLATE AREA: .42 ft²
WIND RATING: 125 MPH
WIND LOAD: 25.5 lbs

Horizontal Pattern



Vertical Pattern

