

COMTELCO

Technical Specification

Y442409

2400/2500 MHz

YAGI ANTENNA

High Performance: This 4 element yagi provides 9dBi / 7dBd gain.

Rugged and weatherproof: The radome construction provides excellent weather protection. The radome is constructed of UV inhibited ABS. The heavy duty mounting plate is extruded aluminum. Stainless steel V bolts are provided for long term reliability and resistance to corrosion.

Lightweight and Durable: This yagi antenna is easily installed by one person, yet is designed to withstand 125 MPH winds.

Termination Options:

Type A: 12" Teflon pigtail with N connector.



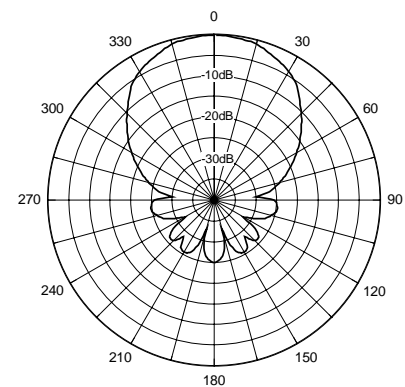
MECHANICAL SPECIFICATIONS

MATERIAL:	1/2" aluminum U channel boom
RADOME:	3" UV inhibited ABS
LENGTH:	4"
WEIGHT:	1 lb.
MOUNTING:	2 1/2" mast maximum
FLAT PLATE AREA:	.055 ft ²
WIND RATING:	125 MPH
WIND LOAD:	2.47 lbs.

ELECTRICAL SPECIFICATIONS

GAIN:	9dBi / 7dBd
FREQUENCY:	2400-2500MHz
F to B RATIO:	15dB
BANDWIDTH:	>100MHz
VERT BEAMWIDTH:	50°
HORIZ BEAMWIDTH:	45°
VSWR:	1.5:1
POWER RATING:	150 watts
IMPEDANCE:	50 ohms

Horizontal Pattern



Vertical Pattern

