

# COMTELCO

## Technical Specification

Y421912

### 1850/1990 MHz YAGI

### YAGI ANTENNA

**High Performance:** This 12 element yagi antenna provides 12dBi/10dBd gain with excellent wide band performance.

**Rugged and weatherproof:** Our hybrid radome construction provides excellent weather protection for our driven element. The radome is constructed of UV inhibited ABS. The heavy duty mounting plate is extruded aluminum. Stainless steel V bolts are provided for long term reliability and resistance to corrosion.

**Lightweight and Durable:** This yagi antenna is easily installed by one person, yet is designed to withstand 125 MPH winds.

#### Termination Options:

**Type A:** 12" Teflon pigtail with N connector.



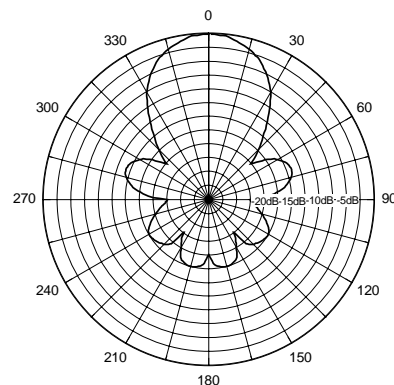
### ELECTRICAL SPECIFICATIONS

<b>GAIN:</b>	12dBi / 10dBd
<b>FREQUENCY:</b>	1850-1990MHz
<b>F to B RATIO:</b>	20dB
<b>BANDWIDTH:</b>	140MHz
<b>VSWR:</b>	<2:1
<b>VERT BEAMWIDTH:</b>	35°
<b>HORIZ BEAMWIDTH:</b>	38°
<b>POWER RATING:</b>	150 watts
<b>IMPEDANCE:</b>	50 ohms

### MECHANICAL SPECIFICATIONS

<b>MATERIAL:</b>	1/2" aluminum U channel boom 3/16" solid elements
<b>RADOME:</b>	3" UV inhibited ABS
<b>LENGTH:</b>	18.5"
<b>WEIGHT:</b>	2 lb.
<b>MOUNTING:</b>	2 1/2" mast maximum
<b>FLAT PLATE AREA:</b>	.12 ft <sup>2</sup>
<b>WIND RATING:</b>	125 MPH
<b>WIND LOAD:</b>	8.1 lbs.

**Horizontal Pattern**



**Vertical Pattern**

