

COMTELCO

Technical Specification

Y421812

1710/1880 MHz YAGI

YAGI ANTENNA

High Performance: This 12 element yagi antenna provides 12dBi/10dBd gain with excellent wide band performance.

Rugged and weatherproof: Our hybrid radome construction provides excellent weather protection for our driven element. The radome is constructed of UV inhibited ABS. The heavy duty mounting plate is extruded aluminum. Stainless steel V bolts are provided for long term reliability and resistance to corrosion.

Lightweight and Durable: This yagi antenna is easily installed by one person, yet is designed to withstand 125 MPH winds.

Termination Options:

Type A: 12" Teflon pigtail with N connector.



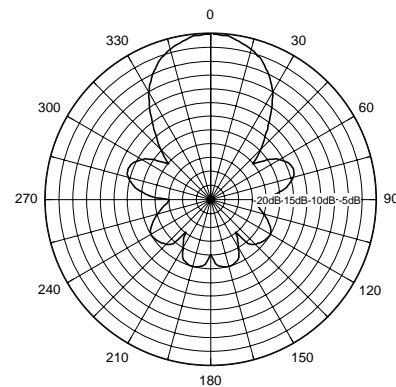
ELECTRICAL SPECIFICATIONS

GAIN:	12dBi / 10dBd
FREQUENCY:	1710-1880MHz
F to B RATIO:	20dB
BANDWIDTH:	170MHz
VSWR:	<2:1
VERT BEAMWIDTH:	35°
HORIZ BEAMWIDTH:	38°
POWER RATING:	150 watts
IMPEDANCE:	50 ohms

MECHANICAL SPECIFICATIONS

MATERIAL:	1/2" aluminum U channel boom 3/16" solid elements
RADOME:	3" UV inhibited ABS
LENGTH:	18.5"
WEIGHT:	2 lb.
MOUNTING:	2 1/2" mast maximum
FLAT PLATE AREA:	.12 ft ²
WIND RATING:	125 MPH
WIND LOAD:	8.1 lbs.

Horizontal Pattern



Vertical Pattern

