

### 900-930 MHz 13dBd/15dBi Gain

### HEAVY DUTY YAGI ANTENNA

**High Performance:** This series of antennas provide 12.2dBd, with wide band performance.

**Rugged and weatherproof:** The construction of our heavy duty yagis feature 1"aluminum U channel with 3/8" solid elements. All exposed areas are coated with UV polyester. The balun assembly is filled and sealed with elastomeric thermoplastic.

**Lightweight and Durable:** These antennas are easily installed by one person.

**Termination Options:**

**Type A:** 12" Teflon pigtail with N connector.

**Type D:** Direct N connection to the balun.

**ELECTRICAL SPECIFICATIONS:**

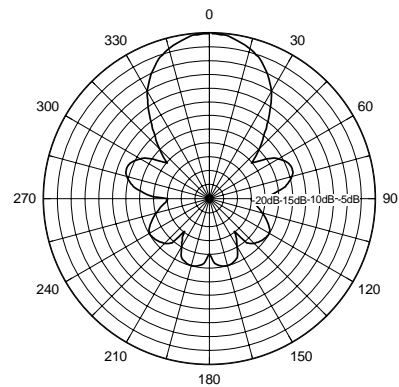
**GAIN:** 13dBd F/B 20dB  
**FREQUENCY:** 900-930MHz <2:1 VSWR  
**VERT BEAMWIDTH:** 35°  
**HORIZ BEAM WIDTH:** 35°  
**RATING :** 300 watts, 50 ohms impedance

**MECHANICAL SPECIFICATIONS:**

**MATERIAL:** 1" aluminum U channel boom  
 3/8" solid elements  
**FINISH:** UV inhibited polyester coat  
**LENGTH:** 60"  
**WEIGHT:** <4 lbs.  
**MOUNT:** 2 3/8" mast, stainless hardware  
**FLAT PLATE AREA:** .594ft<sup>2</sup>  
**WIND RATING:** 125 MPH +  
**WIND LOAD:** 45 lbs.



**Horizontal Pattern**



**Vertical Pattern**

