

806-960 MHz 6dB Gain

HEAVY DUTY YAGI ANTENNA

High Performance: These antennas provide 6dBd, wide band performance.

Rugged and weatherproof: The construction of our heavy duty yagis feature 1"aluminum U channel with 3/8" solid elements. All exposed areas are coated with UV polyester. The balun assembly is filled and sealed with elastomeric thermoplastic.

Lightweight and Durable: These antennas are easily installed by one person.

Termination Options:

Type A: 12" Teflon pigtail with N connector.

Type B: Direct TNC connection to the balun.

Type D: Direct N connection to the balun.



ELECTRICAL SPECIFICATIONS:

GAIN: 6.0dBd F/B 15dB

FREQUENCY:
 -06 806-896MHz <2:1 VSWR
 -66 866-960MHz <2:1 VSWR
 -915 900-930MHz <2:1 VSWR

VERT BEAMWIDTH: 70°

HORIZ BEAM WIDTH: 90°

RATING : 300 watts, 50 ohms impedance

MECHANICAL SPECIFICATIONS:

MATERIAL: 1" aluminum U channel boom
 3/8" solid elements

FINISH: UV inhibited polyester coat

LENGTH: 18"

WEIGHT: <4 lbs.

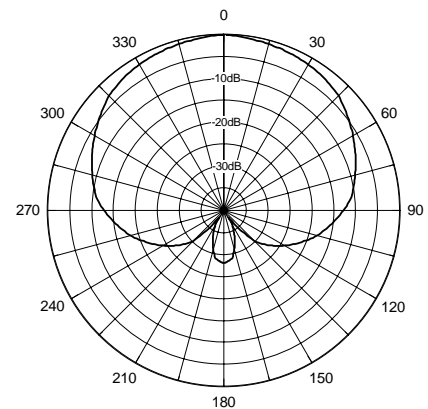
MOUNT: 2 3/8" mast, stainless hardware

FLAT PLATE AREA: .147 ft²

WIND RATING: 125 MPH

WIND LOAD: 8.8 lbs.

Horizontal Pattern



Verical Pattern

