

COMTELCO

Technical Specification

Y3373D

746-796 MHz 6dB Gain

HEAVY DUTY YAGI ANTENNA

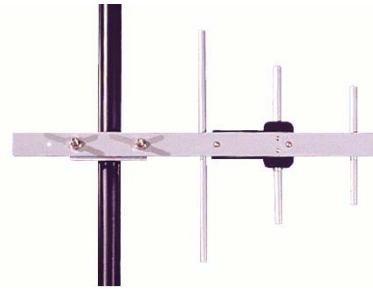
High Performance: These antennas provide 6dBd performance.

Rugged and weatherproof: The construction of our heavy duty yagis feature 1"aluminum U channel with 3/8" solid elements. All exposed areas are coated with UV polyester. The balun assembly is filled and sealed with elastomeric thermoplastic.

Lightweight and Durable: These antennas are easily installed by one person.

Termination Options:

Type D: Direct N connection to the balun.



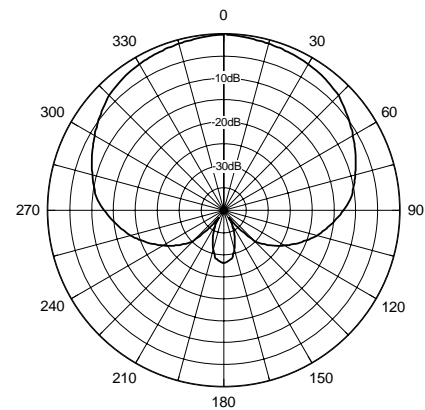
ELECTRICAL SPECIFICATIONS:

GAIN: 6.0dBd F/B 15dB
FREQUENCY: 746-796MHz <2:1 VSWR
VERT BEAMWIDTH: 70°
HORIZ BEAM WIDTH: 90°
RATING : 300 watts, 50 ohms impedance

MECHANICAL SPECIFICATIONS:

MATERIAL: 1" aluminum U channel boom
3/8" solid elements
FINISH: UV inhibited polyester coat
LENGTH: 18"
WEIGHT: <4 lbs.
MOUNT: 2 3/8" mast, stainless hardware
FLAT PLATE AREA: .147 ft²
WIND RATING: 125 MPH
WIND LOAD: 8.8 lbs.

Horizontal Pattern



Verical Pattern

