

COMTELCO

Technical Specification

Y3363WB

600-700 MHz 6dB Gain

HEAVY DUTY YAGI ANTENNA

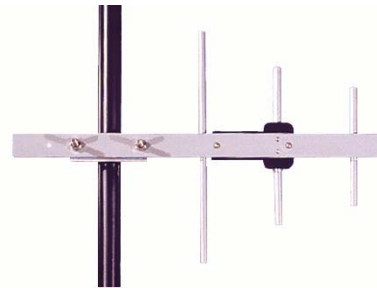
High Performance: These antennas provide 6dBd, wide band performance.

Rugged and weatherproof: The construction of our heavy duty yagis feature 1" aluminum U channel with 3/8" solid elements. All exposed areas are coated with UV polyester epoxy. The balun assembly is filled and sealed with elastomeric thermoplastic.

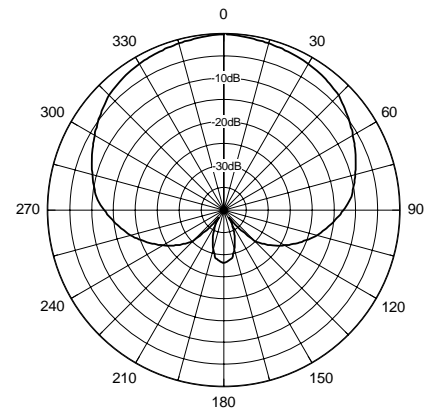
Lightweight and Durable: These antennas are easily installed by one person.

Termination Options:

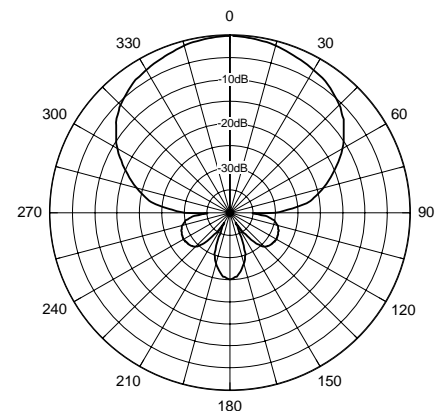
Type D: Direct N connection to the balun.



Horizontal Pattern



Vertical Pattern



ELECTRICAL SPECIFICATIONS:

GAIN: 6.0dBd F/B 15dB
FREQUENCY: 600-700MHz
VSWR: <2.0:1
VERT BEAMWIDTH: 70°
HORIZ BEAM WIDTH: 90°
RATING : 300 watts
IMPEDANCE: 50 ohms

MECHANICAL SPECIFICATIONS:

MATERIAL: 1" aluminum U channel boom
3/8" solid elements
FINISH: UV inhibited polyester coat
LENGTH: 16"
WEIGHT: <4 lbs.
MOUNT: 2 3/8" mast, stainless hardware
FLAT PLATE AREA: .147 ft²
WIND RATING: 125 MPH
WIND LOAD: 8.8 lbs.