

### 406-512 MHz 10.4dB Gain

### HEAVY DUTY YAGI ANTENNA

**High Performance:** These antennas provide 10.4dBd, wide band performance.

**Rugged and weatherproof:** The construction of our heavy duty yagis feature 1"aluminum U channel with 3/8" solid elements. All exposed areas are coated with UV polyester. The balun assembly is filled and sealed with elastomeric thermoplastic.

**Lightweight and Durable:** These antennas are easily installed by one person.

#### Termination Options:

**Type A:** 12" Teflon pigtail with N connector.

**Type B:** Direct TNC connection to the balun.

**Type D:** Direct N connection to the balun.



#### ELECTRICAL SPECIFICATIONS:

**GAIN:** 10.4dBd F/B 20dB

**FREQUENCY:**

- A 406-430MHz <2:1 VSWR
- B 430-450MHz <2:1 VSWR
- C 450-470MHz <2:1 VSWR
- D 470-490MHz <2:1 VSWR
- E 490-512MHz <2:1 VSWR

**VERT BEAMWIDTH:** 50°

**HORIZ BEAM WIDTH:** 55°

**RATING :** 300 watts, 50 ohms impedance

#### MECHANICAL SPECIFICATIONS:

**MATERIAL:** 1" aluminum U channel boom  
3/8" solid elements

**FINISH:** UV inhibited polyester coat

**LENGTH:** 43"

**WEIGHT:** <4 lbs.

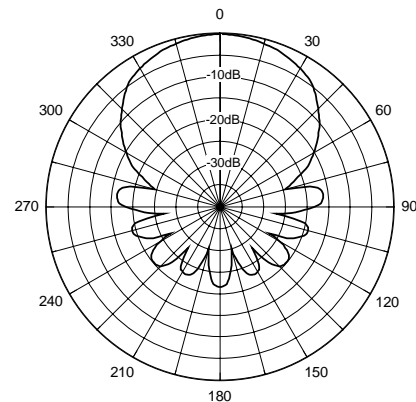
**MOUNT:** 2 3/8" mast, stainless hardware

**FLAT PLATE AREA:** .42 ft<sup>2</sup>

**WIND RATING:** 125 MPH

**WIND LOAD:** 25.5 lbs.

**Horizontal Pattern**



**Vertical Pattern**

