

COMTELCO

Technical Specification

Y33412

406-512 MHz 12dB Gain

HEAVY DUTY YAGI ANTENNA

High Performance: This 12 element antenna provides 12dBd gain.

Rugged and weatherproof: The construction of our heavy duty yagis feature 1" aluminum U channel with 3/8" solid elements. All exposed areas are powder coated with UV polyester. The balun assembly is filled and sealed with elastomeric thermoplastic.

Lightweight and Durable: These antennas are easily installed by one person.

Termination Options:

Type A: 12" Teflon pigtail with N connector.

Type B: Direct TNC connection to the balun.

Type D: Direct N connection to the balun.



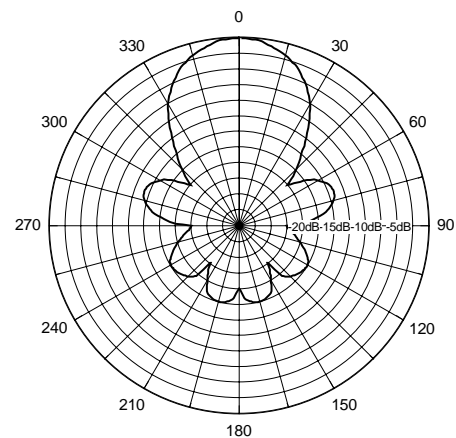
ELECTRICAL SPECIFICATIONS:

| | |
|--------------------------|---|
| GAIN: | 12dBd |
| FREQUENCY: | -A 406-430MHz -B 430-450MHz -C 450-470MHz -D 470-490MHz -E 490-512MHz |
| VSWR: | <2:1 @ 20MHz |
| VERT BEAMWIDTH: | 42° |
| HORIZ BEAM WIDTH: | 45° |
| RATING: | 300 watts |
| IMPEDANCE: | 50 ohms |

MECHANICAL SPECIFICATIONS:

| | |
|-------------------------|--|
| MATERIAL: | 1" heavy U channel boom 3/8" solid elements |
| FINISH: | UV inhibited powder coat |
| LENGTH: | 64" |
| WEIGHT: | <5 lbs. |
| MOUNT: | 2 3/8" mast, stainless hardware |
| FLAT PLATE AREA: | .66 ft ² |
| WIND RATING: | 125 MPH |
| WIND LOAD: | 39.6 lbs. |

Horizontal Pattern



Vertical Pattern

