

**210-225MHz 9dBd Gain****5 ELEMENT YAGI ANTENNA**

**High Performance:** These 5 element yagi antennas provide 9dBd gain.

**Rugged and weatherproof:** The construction of these heavy duty yagis feature a 1" aluminum U channel boom and 3/8" solid elements fully welded and polyester powder coated.

**Functional & Durable:** These yagi antennas are easily installed by one person. They can be field tuned for lowest VSWR without cutting any elements. They are designed to withstand 125 MPH winds.

**Mounting:** These antennas are supplied with the YDM2 double V-bolt mounting kit.

**Termination Options:**

**Type A:** N connector

**Type C:** SO239 (standard)

**UPS Shippable:** These antennas are shipped assembled and may incur UPS premium charge.

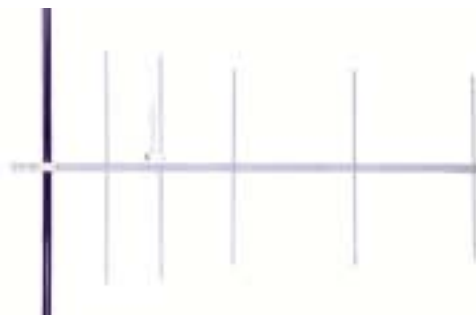
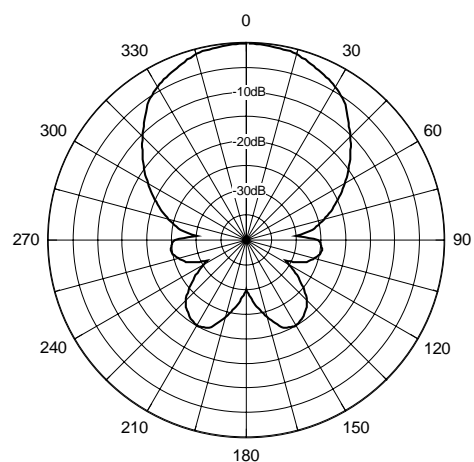
**ELECTRICAL SPECIFICATIONS:**

**FREQUENCY:** A 200-215MHz  
B 210-225MHz  
C 220-250MHz

**VSWR:** <2:1  
**GAIN:** 9dBd  
**RATING:** 300 watts  
**BANDWIDTH:** 8MHz  
**F to B** 18dB  
**IMPEDANCE:** 50 ohms

**MECHANICAL SPECIFICATIONS:**

**MATERIAL:** 1" aluminum U channel boom  
3/8" solid elements  
**FINISH:** Polyester coat  
**MOUNTING:** 2 3/8" mast max.  
**HARDWARE:** Stainless steel  
**LENGTH:** 55"  
**WIDTH:** 27"  
**WEIGHT:** 6 lbs.  
**FLAT PLATE AREA:** .61 ft<sup>2</sup>  
**WIND RATING:** 125 MPH  
**WIND LOAD:** 36.8 lbs.  
**SHIPPING:** UPS

**Vertical Pattern****Horizontal Pattern**