

COMTELCO

Technical Specification

Y3315

144-174MHz 9dBd Gain

YAGI ANTENNA

High Performance: These 5 element yagi antennas provide 9dBd gain.

Rugged and weatherproof: The construction of these heavy duty yagis feature a 1" aluminum U channel boom and 3/8" solid elements.

Functional & Durable: These yagi antennas are easily installed by one person. They can be field tuned for lowest VSWR without cutting any elements. They are designed to withstand 125 MPH winds.

Mounting: These antennas are supplied with the YDM2 double V-bolt mounting kit.

Termination Options:

Type A: N connector

Type C: SO239 (standard)

UPS Shippable: These antennas are shipped unassembled and may incur UPS premium charge.

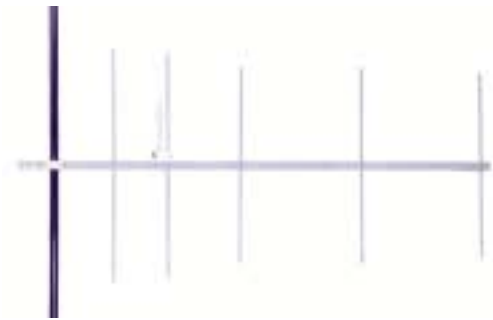
ELECTRICAL SPECIFICATIONS:

FREQUENCY:	A 144-150MHz
	B 150-156MHz
	C 156-162MHz
	D 162-166MHz
	E 168-174MHz

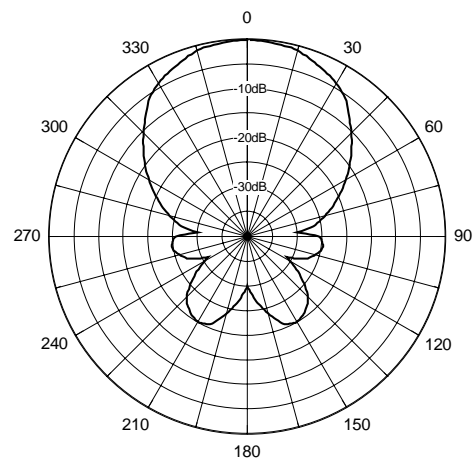
VSWR:	<2:1
GAIN:	9dBd
RATING:	300 watts
BANDWIDTH:	8MHz
F to B	18dB
IMPEDANCE:	50 ohms

MECHANICAL SPECIFICATIONS:

MATERIAL:	1" aluminum U channel boom 3/8" solid elements
FINISH:	Clear anodize
MOUNTING:	2 3/8" mast max.
HARDWARE:	Stainless steel
LENGTH:	74"
WIDTH:	38"
WEIGHT:	8 lbs.
FLAT PLATE AREA:	.84 ft ²
WIND RATING:	125 MPH
WIND LOAD:	50.4 lbs.
SHIPPING:	UPS



Vertical Pattern



Horizontal Pattern

