

144-174MHz, 210-225MHz 6dBd Gain

3 ELEMENT YAGI ANTENNA

High Performance: These 3 element yagi antennas provide 6dBd gain.

Rugged and weatherproof: The construction of these heavy duty yagis feature a 1" aluminum U channel boom and 3/8" solid elements fully welded and polyester powder coated.

Functional & Durable: These yagi antennas are easily installed by one person. They can be field tuned for lowest VSWR without cutting any elements. They are designed to withstand 125 MPH winds.

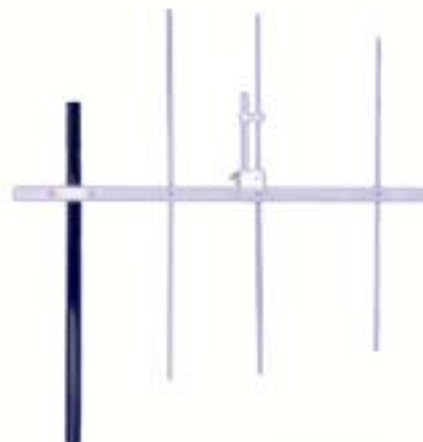
Mounting: These antennas are supplied with the YDM2 double V-bolt mounting kit.

Termination Options:

Type A: N connector

Type C: SO239 (standard)

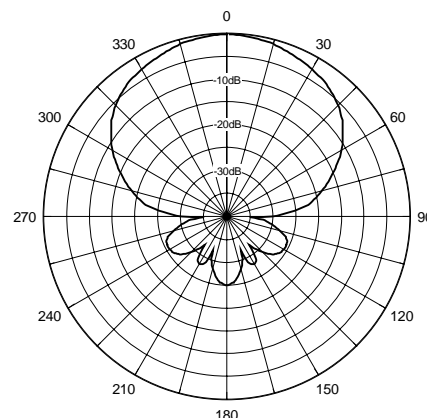
UPS Shippable: These antennas are shipped assembled and may incur UPS premium charge.



ELECTRICAL SPECIFICATIONS:

	Y3313	Y3323
FREQUENCY:	A 144-150MHz B 150-156MHz C 156-162MHz D 162-166MHz E 168-174MHz	A 200-215MHz B 210-225MHz C 220-250MHz
VSWR:	<2:1	<2:1
GAIN:	6dBd	6dBd
RATING:	300 watts	300 watts
BANDWIDTH:	8MHz	8MHz
F to B	18dB	18dB
IMPEDANCE:	50 ohms	50 ohms

Vertical Pattern



MECHANICAL SPECIFICATIONS:

	Y3313	Y3323
MATERIAL:	1" aluminum U channel boom 3/8" solid elements	
FINISH:	Polyester coat	
MOUNTING:	2 3/8" mast max.	
HARDWARE:	Stainless steel	
LENGTH:	44"	34"
WIDTH:	38"	27"
WEIGHT:	7 lbs.	5 lbs.
FLAT PLATE AREA:	.50 ft ²	.38 ft ²
WIND RATING:	125 MPH	125 MPH
WIND LOAD:	30 lbs.	22.5 lbs.
SHIPPING:	UPS	UPS

Horizontal Pattern

