

COMTELCO

Technical Specification

Y22915-915

900-930 MHz 13dBd Gain

HIGH GAIN YAGI ANTENNA

High Performance: This 15 element yagi provides 13dBd gain performance

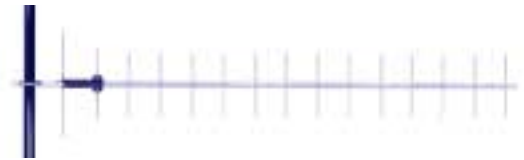
Rugged and weatherproof: The construction of this standard duty yagi features a 1/2" aluminum U channel with 1/4" solid elements. All exposed areas are coated with UV polyester. The balun assembly is filled and sealed with elastomeric thermoplastic.

Lightweight and Durable: This antenna can easily be installed by one person.

Termination Options:

Type A: 12" Teflon pigtail with N connector.

Type B: Direct TNC connection to the balun.



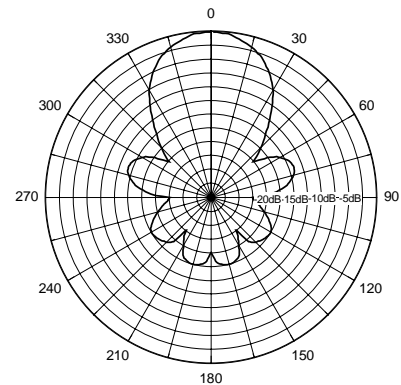
ELECTRICAL SPECIFICATIONS:

GAIN: 13dBd
FRONT TO BACK: 20dB
FREQUENCY: 900-930MHz <2:1 VSWR
VERT BEAMWIDTH: 35°
HORIZ BEAM WIDTH: 38°
RATING : 150 watts
IMPEDANCE: 50 ohms

MECHANICAL SPECIFICATIONS:

MATERIAL: 1/2" aluminum U channel boom
1/4" solid elements
FINISH: UV inhibited polyester coat
LENGTH: 60"
WEIGHT: <4 lbs.
MOUNT: 2 3/8" mast, stainless hardware
FLAT PLATE AREA: .353 ft²
WIND RATING: 125 MPH
WIND LOAD: 21.2 lbs.

Horizontal Pattern



Vertical Pattern

