

806-960 MHz 6dB Gain

YAGI ANTENNA

High Performance: These antennas provide 6dBd, wide band performance.

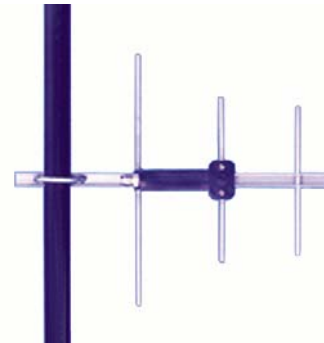
Rugged and weatherproof: The construction of our standard duty yagis feature 1/2" aluminum U channel with 1/4" solid elements. All exposed areas are coated with UV polyester. The balun assembly is filled and sealed with elastomeric thermoplastic.

Lightweight and Durable: These antennas are easily installed by one person.

Termination Options:

Type A: 12" Teflon pigtail with N connector.

Type B: Direct TNC connection to the balun.



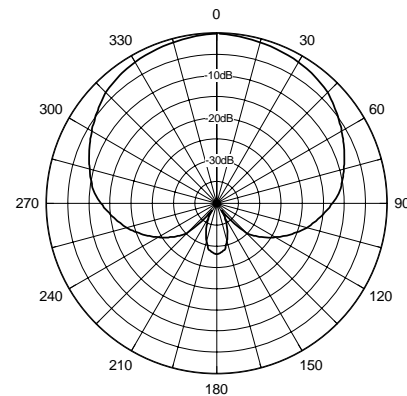
ELECTRICAL SPECIFICATIONS:

GAIN:	6dBd	F/B 15dB
FREQUENCY:	-06	806-896MHz <2:1 VSWR
	-24	824-896MHz <2:1 VSWR
	-96	896-960MHz <2:1 VSWR
	-915	900-930MHz <2:1 VSWR
VERT BEAMWIDTH:	70°	
HORIZ BEAM WIDTH:	90°	
RATING :	150 watts, 50 ohms impedance	

MECHANICAL SPECIFICATIONS:

MATERIAL:	1/2" aluminum U channel boom
	1/4" solid elements
FINISH:	UV inhibited polyester coat
LENGTH:	15"
WEIGHT:	<2 lbs.
MOUNT:	1 5/8" mast, stainless hardware
FLAT PLATE AREA:	.08 ft ²
WIND RATING:	125 MPH
WIND LOAD:	4.7 lbs.

Horizontal Pattern



Vertical Pattern

