

# COMTELCO

## Technical Specification

Y221910

### 1850/1990 MHz YAGI

### YAGI ANTENNA

**High Performance:** This 10 element yagi antenna provides 10dBd gain with wide band performance.

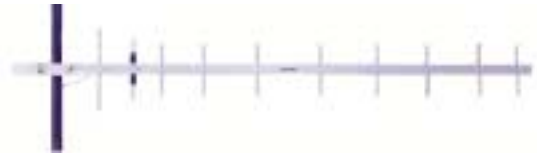
**Rugged and weatherproof:** The construction of our standard duty yagis feature aluminum U channel with solid elements. All exposed areas are coated with UV polyester.

**Lightweight and Durable:** This yagi antenna is easily installed by one person, yet is designed to withstand 100 MPH winds.

#### Termination Options:

**Type A:** 12" Teflon pigtail with N connector.

**Type B:** Direct TNC connection to the balun.



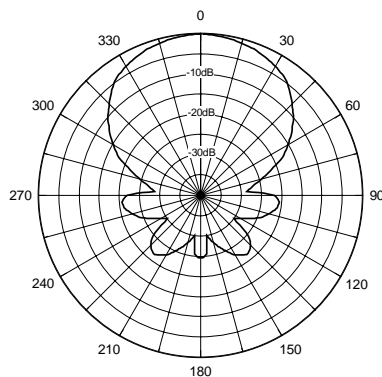
#### MECHANICAL SPECIFICATIONS

<b>MATERIAL:</b>	1/2" aluminum U channel boom 3/16" solid elements
<b>FINISH:</b>	UV inhibited polyester coat
<b>LENGTH:</b>	27"
<b>WEIGHT:</b>	1 lb.
<b>MOUNTING:</b>	1 5/8" mast maximum
<b>FLAT PLATE AREA:</b>	.119 ft <sup>2</sup>
<b>WIND RATING:</b>	125 MPH
<b>WIND LOAD:</b>	7.2 lbs.

#### ELECTRICAL SPECIFICATIONS

<b>GAIN:</b>	10.dBd
<b>FREQUENCY:</b>	1850-1990MHz
<b>F to B RATIO:</b>	20dB
<b>BANDWIDTH:</b>	140MHz
<b>VSWR:</b>	<2:1
<b>POWER RATING:</b>	150 watts
<b>IMPEDANCE:</b>	50 ohms

**Horizontal Pattern**



**Vertical Pattern**

