

COMTELCO

Technical Specification

BSAX915-6-120

900-930 MHz 6dBd Gain 120° Sector

BASE STATION ANTENNA

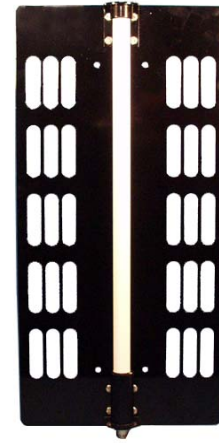
Reliable Performance: Rated at 250 watts and 6dB gain, you can expect years of continuous service. This antenna provides 120° coverage at full gain.

Rugged Construction: The radiating elements are constructed of copper & copper alloy. They are encased in a fiberglass radome for total environmental protection. The assembly is designed to withstand winds of 125 MPH.

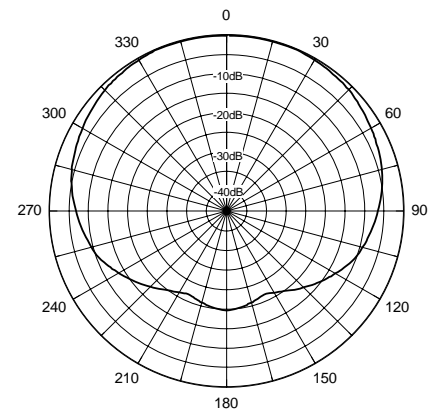
Weatherproof: The fiberglass radome is ultraviolet inhibited. The reflector assembly is epoxy powder coated aluminum for superior weather protection.

Installation: All hardware for installation on an existing 2 ½" diameter mast or tower leg is supplied.

Heavy duty galvanized steel hardware and downtilt hardware options are optional.



Horizontal Pattern



Vertical Pattern

