

COMTELCO

Technical Specification

BSAX18U8-6-60

824-940 / 1850-1990 MHz 6dBd Gain 60° DUAL BAND SECTOR ANTENNA

Reliable Performance: Rated at 250 watts and 6dBd gain, you can expect years of continuous service. This antenna provides 60° coverage at full gain.

Rugged Construction: The radiating elements are constructed of copper alloy. The elements are welded and/or soldered to prevent and intermodulation. The elements are then encased in a fiberglass radome for total environment protection.

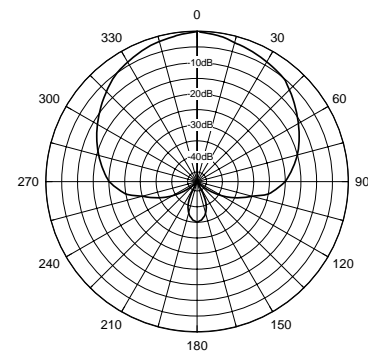
Weatherproof: The fiberglass radome is ultraviolet inhibited. The heavy wall mounting sleeve and reflector assembly are epoxy powder coated aluminum for superior weather protection.

Lightweight: These antennas are lightweight at less than 4 lbs. but are designed to easily withstand winds of 125 MPH.

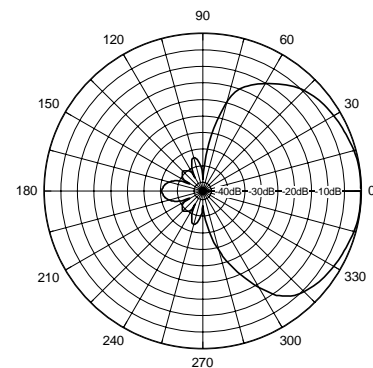
Simple Installation: The supplied mount kit consists of downtilt adjustable heavy duty aluminum V block and stainless steel V bolts.



Horizontal Pattern



Vertical Pattern



ELECTRICAL SPECIFICATIONS:

FREQUENCY:	824-940MHz 1850-1990MHz
GAIN:	6dBd
VSWR:	<2:1
FRONT TO BACK:	25 dB
POWER RATING:	250 watts
IMPEDANCE:	50 ohms
VERT BEAMWIDTH:	55°
HORIZ BEAMWIDTH:	60°

MECHANICAL SPECIFICATIONS:

RADIATOR:	Internal copper alloy elements
REFLECTOR ASSY:	Powder coated Aluminum 15" H x 10" W
RADOME:	White UV inhibited fiberglass
TERMINATION:	Female N
HEIGHT:	15"
WIDTH:	10"
WEIGHT:	4 lbs.
FLAT PLATE AREA:	1.0 ft ²
WIND RATING:	125 MPH
LATERAL THRUST:	40 lbs.
MOUNTING:	Stainless V Bolts, Aluminum V Block 2 1/2" Dia. Max.