

# COMTELCO

## Technical Specification

BSAX18U8-6-190

### 824-940 / 1850-1990 MHz 6dBd Gain 190° DUAL BAND SECTOR ANTENNA

**Reliable Performance:** Rated at 250 watts and 6dBd gain, you can expect years of continuous service. This antenna provides 190° coverage at full gain.

**Rugged Construction:** The radiating elements are constructed of copper alloy. The elements are welded and/or soldered to prevent and intermodulation. The elements are then encased in a fiberglass radome for total environment protection.

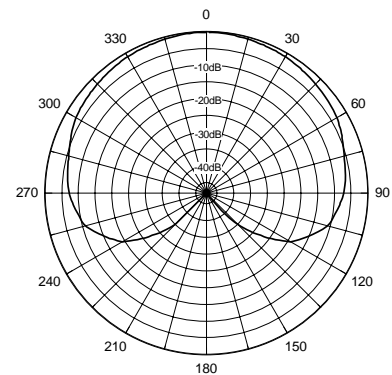
**Weatherproof:** The fiberglass radome is ultraviolet inhibited. The heavy wall mounting sleeve and reflector assembly are epoxy powder coated aluminum for superior weather protection.

**Lightweight:** These antennas are lightweight at less than 4 lbs. but are designed to easily withstand winds of 125 MPH.

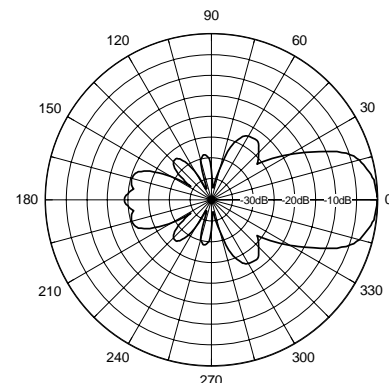
**Simple Installation:** The supplied mount kit consists of downtilt adjustable heavy duty aluminum V block and stainless steel V bolts.



**Horizontal Pattern**



**Vertical Pattern**



#### **ELECTRICAL SPECIFICATIONS:**

**FREQUENCY:** 824-940MHz  
1850-1990MHz  
**GAIN:** 6dBd  
**VSWR:** <2:1  
**FRONT TO BACK:** 25 dB  
**POWER RATING:** 250 watts  
**IMPEDANCE:** 50 ohms  
**VERT BEAMWIDTH:** 25°  
**HORIZ BEAMWIDTH:** 190°

#### **MECHANICAL SPECIFICATIONS:**

**RADIATOR:** Internal copper alloy elements  
**REFLECTOR ASSY:** Powder coated Aluminum 15" H x 10" W  
**RADOME:** White UV inhibited fiberglass  
**TERMINATION:** Female N  
**HEIGHT:** 15"  
**WIDTH:** 10"  
**WEIGHT:** 4 lbs.  
**FLAT PLATE AREA:** 1.0 ft<sup>2</sup>  
**WIND RATING:** 125 MPH  
**LATERAL THRUST:** 40 lbs.  
**MOUNTING:** Stainless V Bolts, Aluminum V Block  
2 1/2" Dia. Max.