

# COMTELCO

## Technical Specification

BSAL5800-13-190

5.725-5.850 GHz 13dBi Gain 190° Sector

BASE STATION ANTENNA

**Reliable Performance:** Rated at 250 watts and 13dBi gain, you can expect years of continuous service. This antenna provides 190° coverage.

**Rugged Construction:** The radiating elements are constructed of copper & copper alloy. They are encased in a radome for total environmental protection. The assembly is designed to withstand winds of over 125 MPH.

**Weatherproof:** The ABS radome is ultraviolet inhibited. The reflector assembly is epoxy powder coated aluminum for superior weather protection.

**Installation:** All hardware for installation on an existing 2½" diameter mast or tower leg is supplied. The supplied mount kit consists of downtilt adjustable heavy duty aluminum V block and stainless steel V bolts.



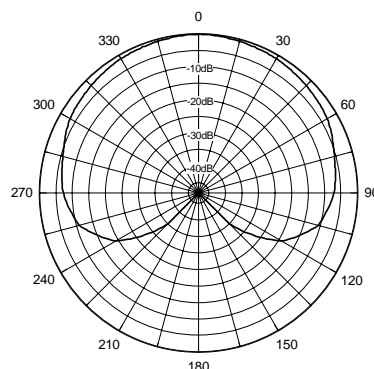
### ELECTRICAL SPECIFICATIONS:

<b>FREQUENCY:</b>	5.725 – 5.850 GHz
<b>GAIN:</b>	13dBi
<b>VSWR:</b>	<2:1
<b>BANDWIDTH:</b>	>100 MHz
<b>FRONT TO BACK:</b>	24 dB
<b>POWER RATING:</b>	250 watts
<b>IMPEDANCE:</b>	50 ohms
<b>VERT BEAMWIDTH:</b>	15°
<b>HORIZ BEAMWIDTH:</b>	190°

### MECHANICAL SPECIFICATIONS:

<b>RADIATOR:</b>	Internal copper alloy elements
<b>REFLECTOR ASSY:</b>	Powder coated Aluminum 25" H x 10" W
<b>RADOME:</b>	White UV inhibited ABS
<b>TERMINATION:</b>	Female N
<b>HEIGHT:</b>	25"
<b>WIDTH:</b>	10"
<b>WEIGHT:</b>	6 lbs.
<b>FLAT PLATE AREA:</b>	1.32 ft <sup>2</sup>
<b>WIND RATING:</b>	125 MPH
<b>LATERAL THRUST:</b>	89 lbs.
<b>MOUNTING:</b>	Stainless V Bolts, Aluminum V Block 2 ½" Dia. Max.

Horizontal Pattern



Vertical Pattern

