

# COMTELCO

## Technical Specification

B36247

2400-2500 MHz 7.5 dBi

2.4 GHz PANEL ANTENNA

**Performance:** Directional antenna for the 2400 thru 2500MHz band providing 7.5 dBi gain.

**Stylish and Durable:** These antennas are manufactured using the finest materials available. They provide great performance in a stylish package. All the plastic parts are molded using UV inhibited ABS material.

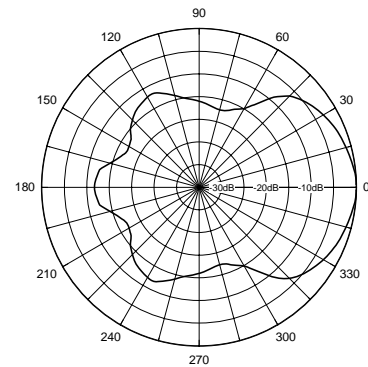
**Mounting:** Multiple mounting options are available. These include standard V-Bolt, V Bolt & Block & Swivel mount.



### SPECIFICATIONS:

<b>FREQUENCY RANGE:</b>	2400-2500MHz
<b>GAIN:</b>	7.5 dBi (5.5 dBd)
<b>FRONT TO BACK:</b>	20dB
<b>VSWR:</b>	1.5:1
<b>VERT BEAM WIDTH:</b>	50°
<b>HORIZ BEAM WIDTH:</b>	65°
<b>POLARIZATION:</b>	Vertical
<b>IMPEDANCE:</b>	50 ohms
<b>POWER RATING:</b>	100 watts
<b>RADOME:</b>	ABS, UV
<b>COLOR:</b>	Off white
<b>TERMINATION:</b>	"Direct "N"
<b>THICKNESS:</b>	1 1/2"
<b>MOUNTING:</b>	V-Bolt
-V	V- Bolt & block
-SM	Swivel Mount
<b>OVERALL SIZE:</b>	4 1/2" x 4 1/2"
<b>FLAT PLATE AREA:</b>	.1406 ft <sup>2</sup>
<b>WIND RATING:</b>	125 MPH
<b>WIND LOAD:</b>	9.5 lbs.

**Horizontal Pattern**



**Vertical Pattern**

