

### 900-930 MHz 3.5 dBi

### PANEL ANTENNA

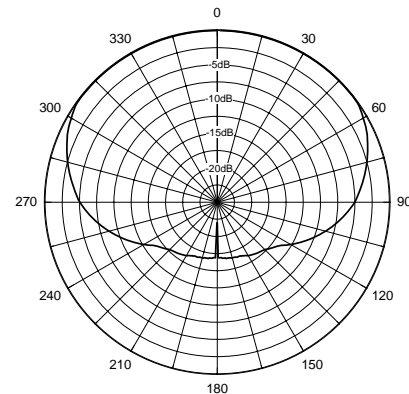
**Performance:** Directional antenna for the 900 thru 930MHz band providing 3.5 dBi gain.

**Stylish and Durable:** These antennas are manufactured using the finest materials available. They provide great performance in a stylish package. All the plastic parts are molded using ABS material.

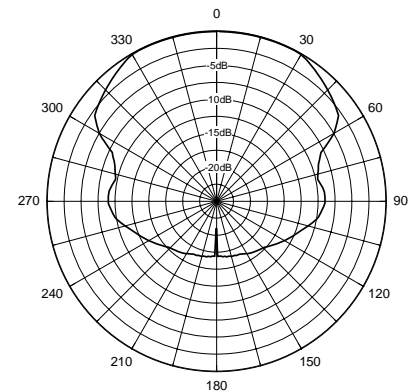
**Mounting:** Multiple mounting options are available. These include standard V-Bolt V-Bolt with V-Block and Direct "N" with Swivel mount.



**Horizontal Pattern**



**Vertical Pattern**



#### **ELECTRICAL SPECIFICATIONS:**

<b>FREQUENCY RANGE:</b>	900-930MHz
<b>GAIN:</b>	3.5 dBi
<b>FRONT TO BACK:</b>	20dB
<b>VSWR:</b>	1.5:1
<b>VERT BEAM WIDTH:</b>	90°
<b>HORIZ BEAM WIDTH:</b>	80°
<b>POLARIZATION:</b>	Vertical
<b>IMPEDANCE:</b>	50 ohms
<b>POWER RATING:</b>	100 watts

#### **MECHANICAL SPECIFICATIONS:**

<b>RADOME:</b>	ABS, UV
<b>COLOR:</b>	Off white
<b>TERMINATION:</b>	"N" or 8" Teflon low loss
<b>THICKNESS:</b>	3/4"
<b>MOUNTING:</b>	-T V-Bolt , Pigtail
	-TV V-Bolt & V-Block, Pigtail
	-SM Swivel mount Direct "N"
<b>OVERALL SIZE:</b>	4 1/2" x 4 1/2"
<b>FLAT PLATE AREA:</b>	.1406 ft <sup>2</sup>
<b>WIND RATING:</b>	125 MPH
<b>WIND LOAD:</b>	9.5 lbs.