

2400-2500 MHz 7.5 dBi

2.4 GHz PANEL ANTENNA

Performance: Directional antenna for the 2400 thru 2500MHz band providing 7.5 dBi gain.

Stylish and Durable: These antennas are manufactured using the finest materials available. They provide great performance in a stylish package. All the plastic parts are molded using UV ABS material.

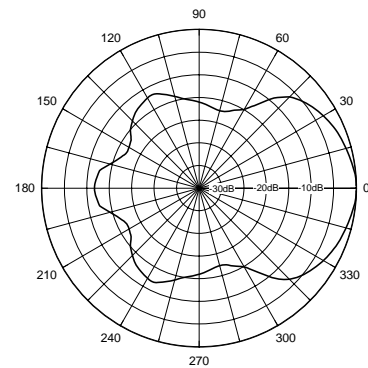
Mounting: Multiple mounting options are available. These include standard V-Bolt, V-Bolt with V-Block and Direct "N" with Swivel mount.



SPECIFICATIONS:

FREQUENCY RANGE:	2400-2500MHz
GAIN:	7.5 dBi (5.5 dBd)
FRONT TO BACK:	20dB
VSWR:	1.5:1
VERT BEAM WIDTH:	60°
HORIZ BEAM WIDTH:	65°
POLARIZATION:	Vertical
IMPEDANCE:	50 ohms
POWER RATING:	100 watts
RADOME:	ABS, UV
COLOR:	Off white
TERMINATION:	"TNC" or 8" Teflon low loss
THICKNESS:	3/4"
MOUNTING:	-T V-Bolt, Pigtail -TV V-Bolt, & V-Block Pigtail -SM Swivel mount with Direct "N"
OVERALL SIZE:	4 1/2" x 4 1/2"
FLAT PLATE AREA:	.1406 ft ²
WIND RATING:	125 MPH
WIND LOAD:	9.5 lbs.

Horizontal Pattern



Vertical Pattern

