

2400-2500 MHz 18dBi

2.4 GHz PANEL ANTENNA

Performance: Directional 16 element planar array antenna for the 2400 thru 2500MHz band providing 18dBi gain.

Stylish and Durable: These antennas are manufactured using low loss high deposition printed circuit board material. Heavy plating and total conformal solder mask coating provide exceptional performance at up to 100 watts. A rugged UV inhibited ABS radome with a powder coated aluminum mounting plate provide a robust and stylish package.

Mounting: Multiple mounting options are available. These include standard V-Bolt, VBolt with V-Block, and Swivel mount. Swivel mount allows pointing in virtually any direction.



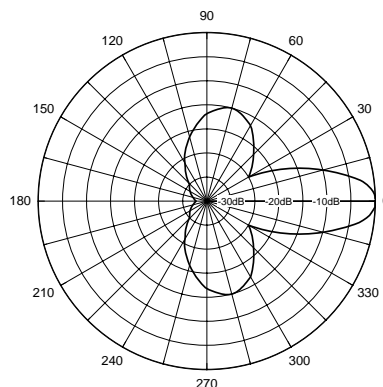
ELECTRICAL SPECIFICATIONS:

FREQUENCY RANGE:	2400-2500MHz
GAIN:	18dBi (16dBd)
FRONT TO BACK:	20dB
VSWR:	1.5:1
VERT BEAM WIDTH:	25 deg
HORIZ BEAM WIDTH:	25 deg
POLARIZATION:	Vertical / Horizontal
IMPEDANCE:	50 ohms
POWER RATING:	100 watts

MECHANICAL SPECIFICATIONS:

RADOME:	ABS, UV
COLOR:	Off white
TERMINATION:	"N" or 8" Teflon low loss
THICKNESS:	3/4"
MOUNTING:	
-T	Standard V-Bolt with Teflon Pigtail
-TV	V-Bolt with V-Block Teflon Pigtail
-SM	Swivel mount Direct "N"
OVERALL SIZE:	13 1/2" x 13 1/2"
FLAT PLATE AREA:	1.085 ft ²
WIND RATING:	125 MPH
WIND LOAD:	73.2 lbs.

Horizontal Pattern



Vertical Pattern

