

# COMTELCO

## Technical Specification

B25247P

2400-2500 MHz

2.4 GHz PANEL ANTENNA

**Performance:** Directional antenna for the 2400 thru 2500MHz band providing 7.5dBi gain.

**Stylish and Durable:** These antennas are manufactured using the finest materials available. They provide great performance in a stylish package. All the plastic parts are molded using ABS material.

**Mounting:** Multiple mounting options are available. These antennas include conventional wall type mounting plates.



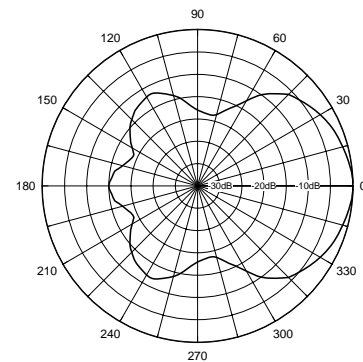
### ELECTRICAL SPECIFICATIONS:

|                          |                   |
|--------------------------|-------------------|
| <b>FREQUENCY RANGE:</b>  | 2400-2500MHz      |
| <b>GAIN:</b>             | 7.5 dBi (5.5 dBd) |
| <b>FRONT TO BACK:</b>    | 18dB              |
| <b>VSWR:</b>             | <2:1              |
| <b>VERT BEAM WIDTH:</b>  | 50°               |
| <b>HORIZ BEAM WIDTH:</b> | 55°               |
| <b>IMPEDANCE:</b>        | 50 ohms           |
| <b>POWER RATING:</b>     | 100 watts         |

### MECHANICAL SPECIFICATIONS:

|                         |                       |
|-------------------------|-----------------------|
| <b>RADOME:</b>          | ABS                   |
| <b>COLOR:</b>           | Off white             |
| <b>CABLE:</b>           | 12" Teflon low loss   |
| <b>THICKNESS:</b>       | 1 1/2"                |
| <b>MOUNTING:</b>        | Wall Plate            |
| <b>DIAMETER:</b>        | 4 1/4"                |
| <b>FLAT PLATE AREA:</b> | .1406 ft <sup>2</sup> |
| <b>WIND RATING:</b>     | 125 MPH               |
| <b>WIND LOAD:</b>       | 9.5 lbs.              |

**Horizontal Pattern**



**Vertical Pattern**

