

# COMTELCO

## Technical Specification

B25187P

1710-1850 MHz

PANEL ANTENNA

**Performance:** Directional antenna for the 1710 thru 1850MHz band providing 7.5dBi gain.

**Stylish and Durable:** These antennas are manufactured using the finest materials available. They provide great performance in a stylish package. All the plastic parts are molded using ABS material.

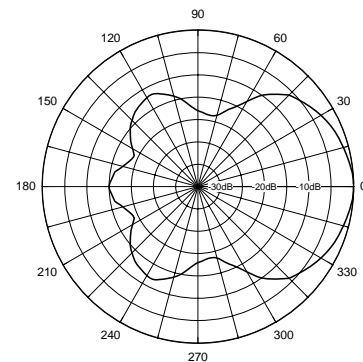
**Mounting:** Multiple mounting options are available. These antennas include conventional wall type mounting plates



### SPECIFICATIONS:

<b>FREQUENCY RANGE:</b>	1710-1850MHz
<b>GAIN:</b>	7.5 dBi (5.5 dBd)
<b>FRONT TO BACK:</b>	18dB
<b>VSWR:</b>	<2:1
<b>VERT BEAM WIDTH:</b>	75°
<b>HORIZ BEAM WIDTH</b>	60°
<b>IMPEDANCE:</b>	50 ohms
<b>POWER RATING:</b>	100 watts
<b>RADOME:</b>	ABS
<b>COLOR:</b>	Off white
<b>CABLE:</b>	12" Teflon low loss
<b>THICKNESS:</b>	1 1/2"
<b>MOUNTING:</b>	Wall Plate
<b>DIAMETER:</b>	4 1/4"
<b>FLAT PLATE AREA:</b>	.1406 <sup>2</sup>
<b>WIND RATING:</b>	125 MPH
<b>WIND LOAD:</b>	9.5 lbs.

**Horizontal Pattern**



**Vertical Pattern**

