

COMTELCO

Technical Specification

B25147P

1350-1450 MHz

PANEL ANTENNA

Performance: Directional antenna for the 1350 thru 1450MHz band providing 7.5dBi gain.

Stylish and Durable: These antennas are manufactured using the finest materials available. They provide great performance in a stylish package. All the plastic parts are molded using ABS material.

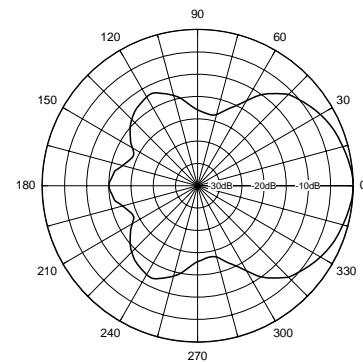
Mounting: These antennas include conventional wall type mounting plates with templates for easy installation.



SPECIFICATIONS:

FREQUENCY RANGE:	1350-1450MHz
GAIN:	7.5 dBi (5.5 dBd)
FRONT TO BACK:	18dB
VSWR:	<2:1
VERT BEAM WIDTH:	75°
HORIZ BEAM WIDTH	60°
IMPEDANCE:	50 ohms
POWER RATING:	100 watts
RADOME:	ABS
COLOR:	Off white
CABLE:	12" Teflon low loss
THICKNESS:	1 1/2"
MOUNTING:	Wall Plate
DIAMETER:	4 1/4"
FLAT PLATE AREA:	.1406 ²
WIND RATING:	125 MPH
WIND LOAD:	9.5 lbs.

Horizontal Pattern



Vertical Pattern

